

FIBERGLASS SILOS



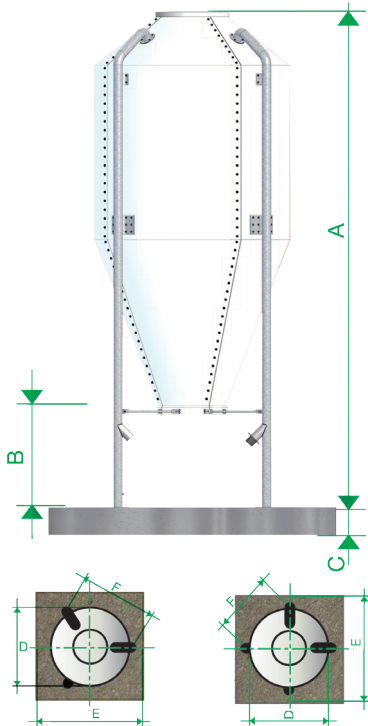
Fiberglass feed silos characterize for:

- Wide selection of capacities from 4 to 75 m³;
- Compact overseas transport in 20' or 40' containers;
- Lightweight combined with high tensile strength;
- Extremely good thermal insulation;
- High resistance to environmental extremes (operating temperatures: from -55°C to + 55° C);
- rustproof;
- unique durability: 25 years – no maintenance;
- suitability for both pneumatic and mechanic loading;
- Easy and quick assembly;

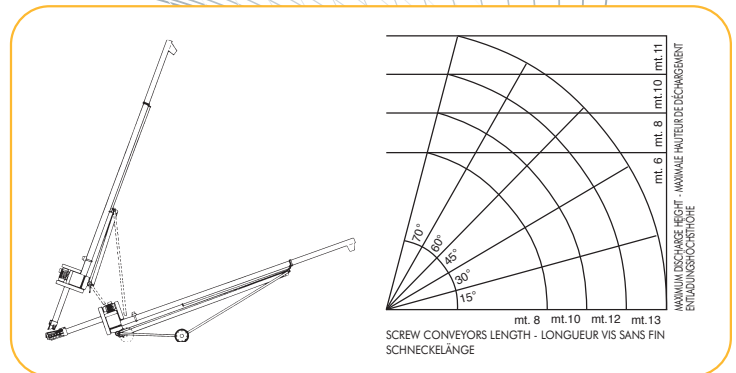


code P301 Hopper in heavy-duty PVC to be connected under the silo, with one outlet, inclination 30°.

code P302 Hopper in heavy-duty PVC to be connected under the silo, with two parallel outlets, inclination 30°.



Modello Model Modèle Modell Modelo	Capacità Capacity Capacité Kapazität Capacidad		N° Gambe Legs Soutiens Beine Patas	N° Spicchi Sheils Coques Stück Partes	Dimensioni - Dimensions Dimensions - Abmessungen - Dimensiones						N° of disassembled Silos per container	
	Mc.	Ton.			A	B	C	D	E	F	20 feet	40 feet
SIE.04	4	2,4	3	2	3720	1050	250	1600	2500	1530	30	60
SIE.06	6	3,6	3	2	4190	1050	300	2000	2500	1870	20	45
SIE.08	8	4,8	3	2	4780	1050	300	2000	2500	1870	18	40
SIE.10	10	6	3	2	5120	1050	300	2200	2800	2045	18	40
SIE.12	12	7,2	3	2	5620	1050	300	2200	2800	2045	18	36
SIE.15	15	9	3	2	6500	1050	300	2200	2800	2045	15	30
SIE.18	18	10,8	3	3	6040	1050	300	2600	3000	1970	20	40
SIE.20	20	12	4	3	6410	1050	300	2600	3000	1970	18	40
SIE.25	25	15	4	3	7360	1050	400	2600	3000	1970	*	35
SIE.31	31	18,6	4	3	8800	1050	400	2600	3000	1970	*	30
SIE.40	40	24	4	4	8450	1050	500	3000	3500	2260	*	25
SIE.52	52	31,2	4	4	10010	1050	500	3000	3500	2260	*	20
SIE.66	66	39,6	4	4	12010	1050	600	3000	3500	2260	*	14
SIE.75	75	45	4	4	13010	1050	600	3000	3500	2260	*	10



ø mm.	Potenza Power Puissances Leistungen				Portata/Ora Kg - Inclinazione Output for Hour Kg - Inclinacion Production à l'heure Kg - Devers Stundenproduktion Kg - Neigung
	mt. 8	mt. 10	mt. 12	mt. 15	
120	Kw 2,2	Kw 2,2	Kw 3,0	Kw 4,0	8500 30°
					5200 60°
160	Kw 3,0	Kw 4,0	Kw 5,5	Kw 5,5	20500 30°
					13500 60°
200	Kw 4,0	Kw 5,5	Kw 7,5	Kw 9,2	39000 30°
					24000 60°
250	Kw 5,5	Kw 7,5	Kw 9,2	Kw 11	67600 30°
					44800 60°